

# SPECIFICATION

**POWERLINK**  
Power Systems

*Power Link the World*

## **MODEL VR1000PX** **VR SERIES** **(FOR 50Hz DIESEL GENSET)**

Revision: A2 (11/21)

To inquire the latest revision of  
document, visit our website at:  
[www.powerlinkworld.co.uk](http://www.powerlinkworld.co.uk)



## 1 Standards & Conditions

### Design Standards

The designs and the productions are in conformity with:

- Conformance Européenne (CE)
- ISO8528-5:2005
- AS 3000-2018
- AS 3010-2017

### Environmental Operating Conditions

- Installation place: Outdoors or indoors (well ventilated).
- Ambient temperature: -25°C to 50°C. The coolant heater is needed when the temperature is below 5°C
- Humidity: Less than 90%.
- Altitude: Below one thousand (1000) meters above sea level.

### Factory Inspection

- Inspection items.
- Protection devices working test.
- Starting ability in normal temperature.
- 50% rated power load moment capability.
- Voltage deviation and speed variation: 0%, 25%, 50%, 75%, 100%, 110% Load.

### Painting Process

- Painting process specifications and colors are based on the manufacturer's standard.
- The customer could also choose the color which the manufacturer offers.

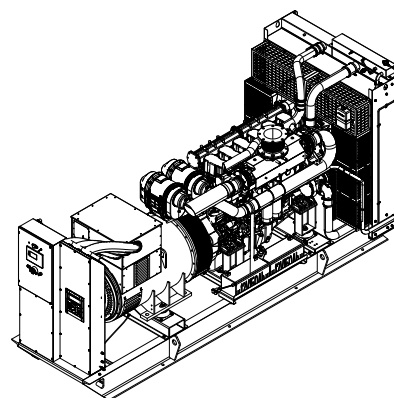
## 2 General Features

- PowerLink engine VR6-35TAG5
- Close coupled to PowerLink alternator PL6C
- Microprocessor control module XC762
- Main circuit breaker: 1600A
- Rotate speed governor: ECU
- Excitation system: PMG
- A.V.R model: MX321
- Key switch
- Emergency stop switch

- ATS(automatic transfer switch)receptacle
- Remote run connector
- 2x12V/150AH sealed for life maintenance free battery
- Lockable battery isolator switch
- 50°C radiator
- Steel base frame
- Vibration isolators between the engine/alternator and base frame
- Dry type air filter
- Operation Manual / Specifications

## 3 Equipment

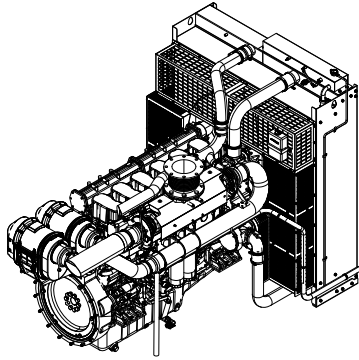
### General technical data



Model.....VR1000PX  
 Tank capacity..... N/A  
 Dry weight..... 8326kg  
 Sound pressure level @ 7m ..... N/A  
 Dimensions L×W×H.....4865x1832x2480mm  
 Standby Power ..... 1100kVA/880kW  
 Prime Power ..... 1000kVA/800kW

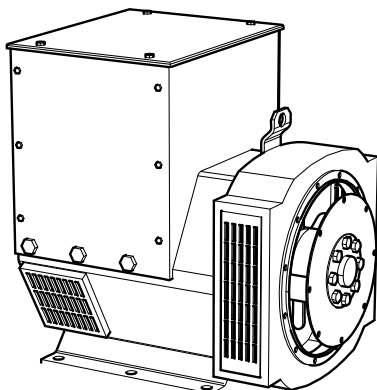
Voltage	380V	400V	415V		
Ampere	1519.4A	1443.4A	1391.2A		
<b>Genset Fuel Consumption</b>					
Frequency/Load	25%	50%	75%	100%	110%
50Hz (L/h)	62	123	183	245	270

## Dck Yf' GrghYa



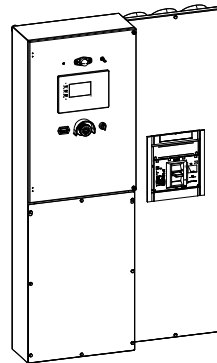
Engine Manufacturer/Brand .....	PowerLink
Engine Model .....	VR6-35TAG5
Dimensions L×W×H.....	2429x1387x2146mm
Dry Weigh (approx.) .....	4000kg
Number of Cylinders.....	6
Bore.....	186mm
Stroke .....	215mm
Displacement.....	35.0L
Compression Ratio .....	15.0
Type of injection.....	High pressure common rail
Intake System.....	Turbocharged and charge air cooled
Intake Resistance .....	≤5kPa
Cooling System .....	Water cooled
Fan .....	Pusher
Battery Voltage .....	24V
Type of Fuel.....	No.2 or ASTM D975
Type of Oil .....	API CF/SE or CCMCF4
Oil Capacity .....	80.0L
Type of Coolant .....	Glycol mixture
Coolant Capacity .....	90.0L
Back Pressure .....	≤10.1kPa
Standby Power .....	.968kW
Prime Power .....	.880kW

## Alternator



Alternator Manufacturer/Brand .....	PowerLink
Alternator Model .....	PL6C
Exciter.....	Brushless
Cooling Fan .....	Cast alloy aluminum
Windings.....	100% copper
Insulation Class .....	H
Winding Pitch.....	2/3
Terminals .....	12
Drip Proof .....	IP23
Altitude.....	≤1000m
Overspeed .....	2250rpm
Air Flow.....	N/A
Voltage Regulation .....	±1.0%
Total Harmonic TGH / THCat no load < 1.5 % - on load < 5%	
Telephone Interference.....	THF<2%;TIF<50

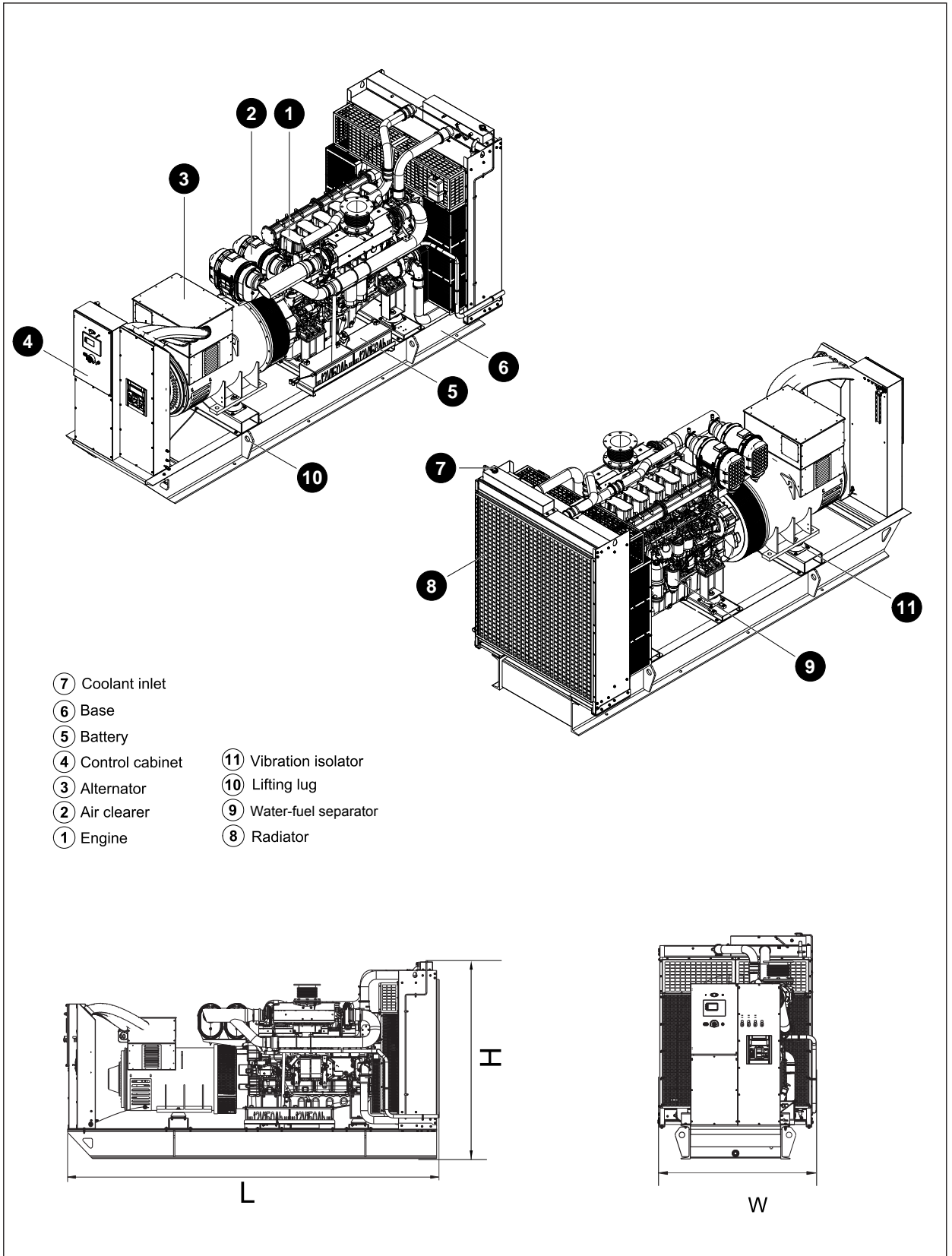
## XC762 Control System



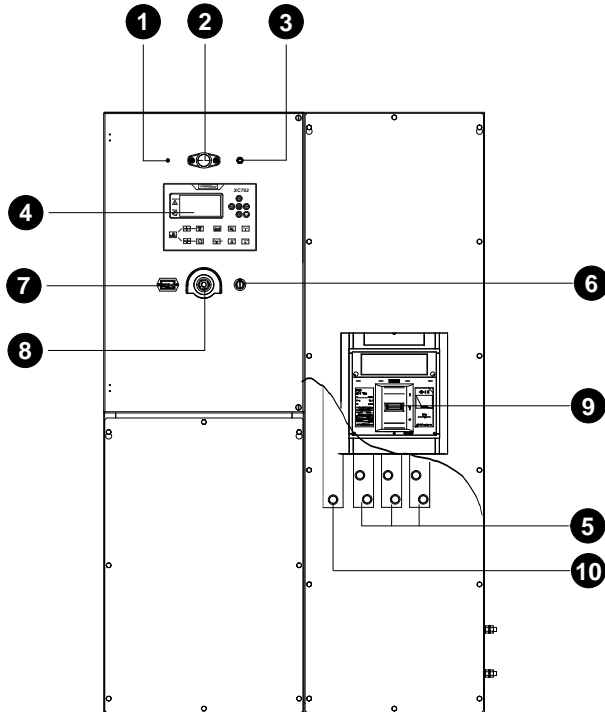
XC762 is an advanced control module based on micro-processor, containing all necessary functions for protection of the genset and the breaker control. It can monitor the mains supply, and automatically start the engine when the mains is abnormal. Accurately measure various operational parameters and display all values and alarms information on the LCD. In addition, the control module can automatically shut down the engine and indicate the engine failure.

- Microprocessor control, with high stability and credibility
- Monitoring and measuring operational parameters of the mains supply and genset
- Indicating operation status, fault conditions, all parameters and alarms
- Multiple protections; multiple parameters display, like pressure, temp. etc.
- Manual, automatic and remote work mode selectable
- Real time clock for time and date display, overall runtime display, 250 log entries
- Overall power output display
- Integral speed/frequency detecting, telling status of start, rated operation, overspeed etc.
- Communication with PC via RS485 OR RS232 interface, using MODBUS protocol

## 4 Overall Dimensions

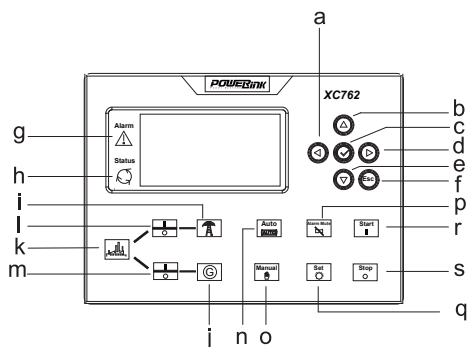


## 5 Control System



**Control&Field wiring cabinet**

Ref.	Description
1	Charge indicator
2	Control cabinet lamp
3	Control cabinet lamp switch
4	Control module
5	Live wire terminals
6	Key switch
7	Time counter
8	Emergency stop switch
9	Main circuit breaker
10	Neutral wire terminal



**Control module**

a	Button (next page)
b	Button (increase value / previous item)
c	Button (accept)
d	Button (previous page)
e	Button (decrease value / next item)
f	Button (ESC)
g	Indicator (alarm)
h	Indicator (running)
i	Indicator (mains available)
j	Indicator (genset available)
k	Indicator (mains / genset ON)
l	Button (breaker ON / OFF)
m	Button (breaker ON / OFF)
n	Button (Auto mode)
o	Button (Manual mode)
p	Button (reset alarm)
q	Button (set parameters)
r	Button (start)
s	Button (stop)

# SPECIFICATION

**VR SERIES DIESEL GENSET**

**VR1000PX**

Revision: A2 (11/21)

To inquire the latest revision of  
document, visit our website at:  
[www.powerlinkworld.co.uk](http://www.powerlinkworld.co.uk)

