



Generator set
Sound-proof type
QSV10KS

SPECIFICATIONS



1 Standards & Conditions

Design Standards

The designs and the productions are in conformity with:

- Conformance Européenne (CE)
- ISO8528-5:2005
- GB/T2820.5-2009

Environmental Operating Conditions

- Installation place: Outdoors or indoors (well ventilated).
- Ambient temperature: -25°C to 50°C. The coolant heater is needed when the temperature is below 5°C
- Humidity: Less than 90%.
- Altitude: Below one thousand (1000) meters above sea level.

Factory Inspection

- Inspection items.
- Protection devices working test.
- Starting ability in normal temperature.
- 50% rated power load moment capability.
- Voltage deviation and speed variation: 0%, 25%, 50%, 75%, 100%, 110% Load.

Painting Process

- Painting process specifications and colors are based on the manufacturer's standard.
- The customer could also choose the color which the manufacturer offers.

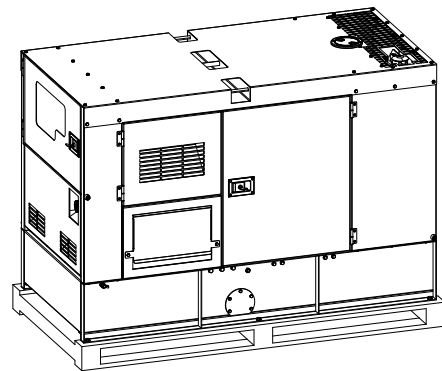
2 General Features

- Kubota engine D1105-BG
- Close coupled to Leroy Somer alternator LSA40VS1
- Microprocessor control module PLC-920
- Main circuit breaker: 16A
- Rotate speed governor: Mechanical governor
- Excitation system: Self excited, SHUNT
- A.V.R model: R220
- Key switch
- Emergency stop switch
- ATS(automatic transfer switch)receptacle

- Remote run connector
- 1x12V/60AH sealed for life maintenance free battery
- Lockable battery isolator switch
- Powder coated canopy
- 45°C radiator
- Steel base frame
- Vibration isolators between the engine/alternator and base frame
- Dry type air filter
- Base fuel tank for 9 hours running
- Drain points for fuel tank
- Operation Manual / Specifications

3 Equipment

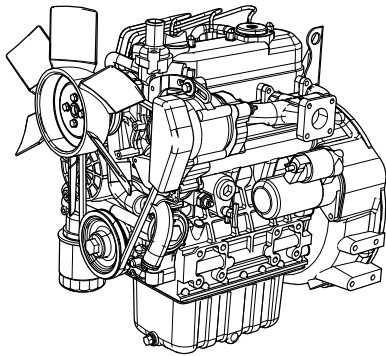
General technical data



Model.....	QSV10KS
Tank capacity.....	90L
Dry weight.....	584kg
Sound pressure level @ 7m.....	69.7dBA
Dimensions L×W×H.....	1600x740x1175mm
Standby Power.....	11kVA/8.8kW
Prime Power.....	10kVA/8kW

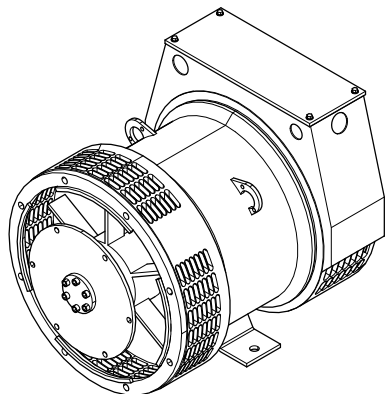
Voltage	380V	400V	415V	440V	
Ampere	15.2A	14.4A	13.9A	13.1A	
Genset Fuel Consumption					
Frequency/Load	25%	50%	75%	100%	110%
50Hz (L/h)	N/A	1.8	2.9	3.5	3.9

Diesel engine



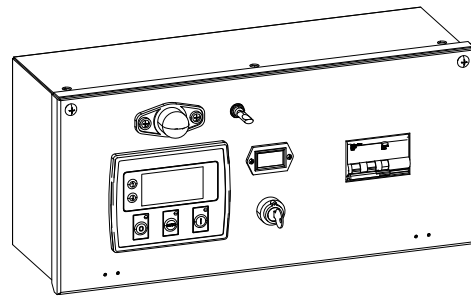
Engine Manufacturer/Brand	KUBOTA
Engine Model	D1105-BG
Dimensions L×W×H	549.3×398.0×604.7mm
Dry Weigh (approx.)	93kg
Number of Cylinders	3
Bore	78mm
Stroke	78.4mm
Displacement	1.123L
Compression Ratio	22
Type of Injection	Direct injection
Intake System	Natural aspirated
Intake Resistance	1.96kPa
Cooling System	Water cooled
Fan	Pusher
Battery Voltage	12V
Type of Fuel	No.2-D(ASTM D975)
Type of Oil	Better than API CD class
Oil Capacity	5.1L
Type of Coolant	Glycol mixture
Coolant Capacity	6.4L
Back Pressure	≤7.07kPa
Standby Power	9.5kW
Prime Power	8.4kW
Fuel Consumption(100%load)	3.5L/h

Alternator



Alternator Manufacturer/Brand	Leroy Somer
Alternator Model	LSA40VS1
Exciter	Brushless
Cooling Fan	Cast alloy aluminum
Windings	100% copper
Insulation Class	H
Winding Pitch	2/3
Terminals	12
Drip Proof	IP23
Altitude	≤1000m
Overspeed	2250rpm
Air Flow	N/A
Voltage Regulation	±1.0%
Total Harmonic TGH / THCat no load < 1.5 % - on load < 5%	
Telephone Interference	THF<2%;TIF<50

PLC-920 Control System

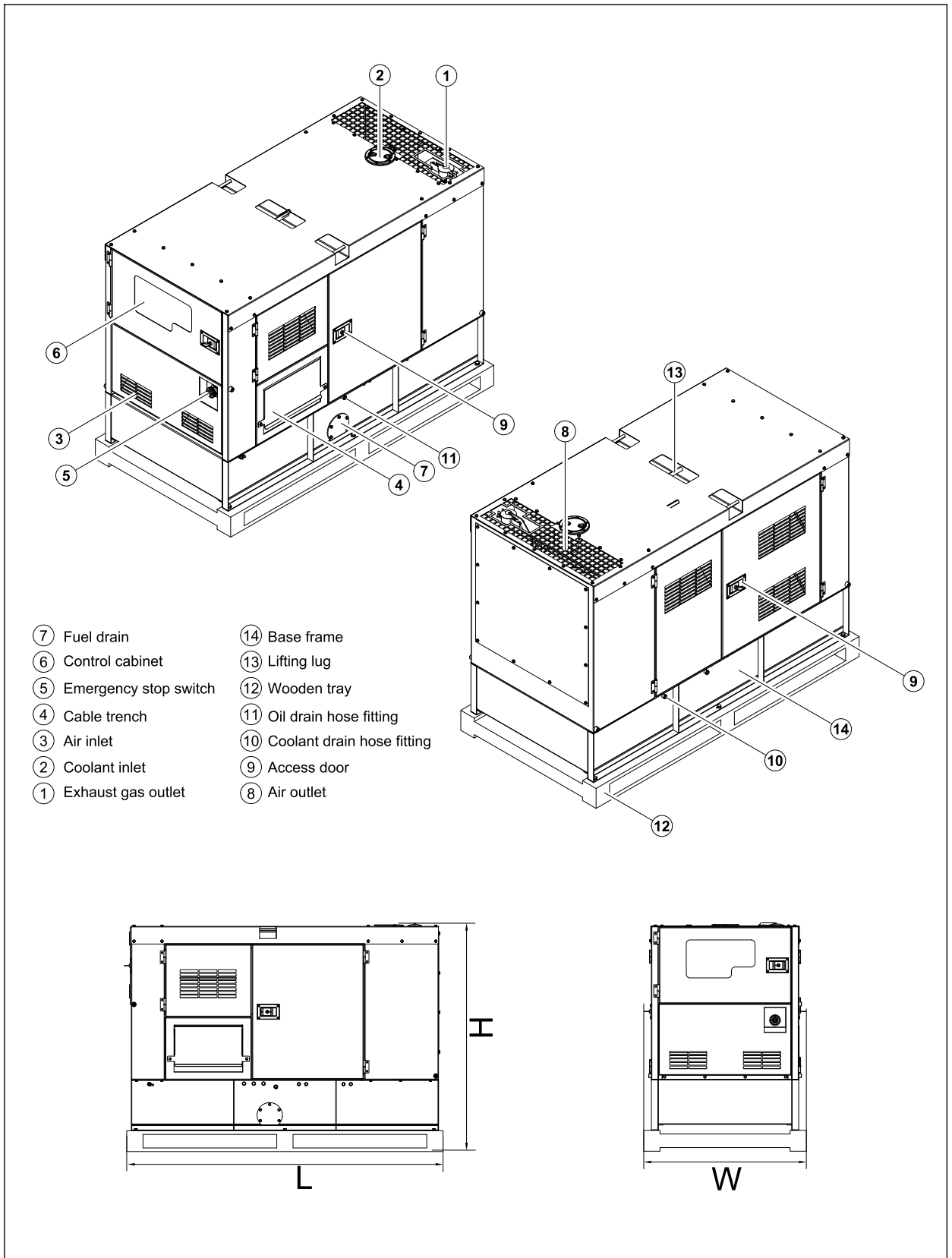


PLC-920 is an advanced control module based on microprocessor designed to control the engine via push buttons on the front panel. The module is used to start and stop the engine and indicate fault conditions, automatically shutting down the engine and giving a true first up fault condition of an engine failure.

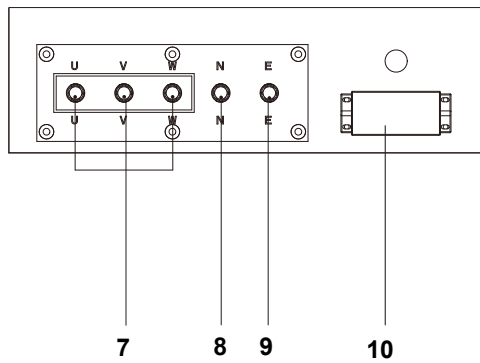
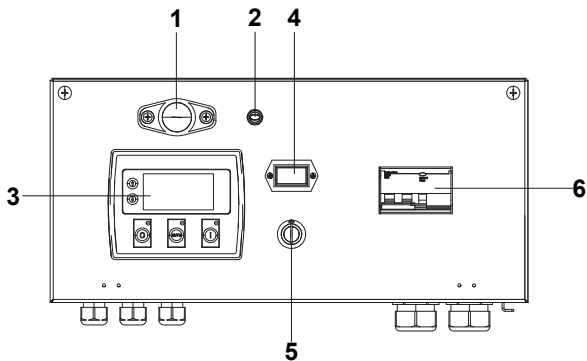
Standard Control Function

- Manual Engine Control Module
- Low Oil Pressure
- High Engine Temperature
- Auxiliary Shutdown
- Overspeed Protection
- Protection hold-off timer
- Charge Failure warning

4 Overall Dimensions



5 Control System



Control & field wiring cabinet



Control module

Ref.	Description
1	Control cabinet lamp
2	Control cabinet lamp switch
3	Control module
4	Time counter
5	Key switch
6	Main circuit breaker
7	Live wire terminals
8	Neutral wire terminal
9	Ground wire terminal
10	Mains input/remote communication connector

Ref.	Description
a	Navigation button Accept (Configuration mode only)
b	Main status display
c	Stop/reset button Next page (Configuration mode only)
d	Auto start button Decrease value/next item (Configuration mode only)
e	Start button Increase value/next item (Configuration mode only)

1000033682

02.2023
